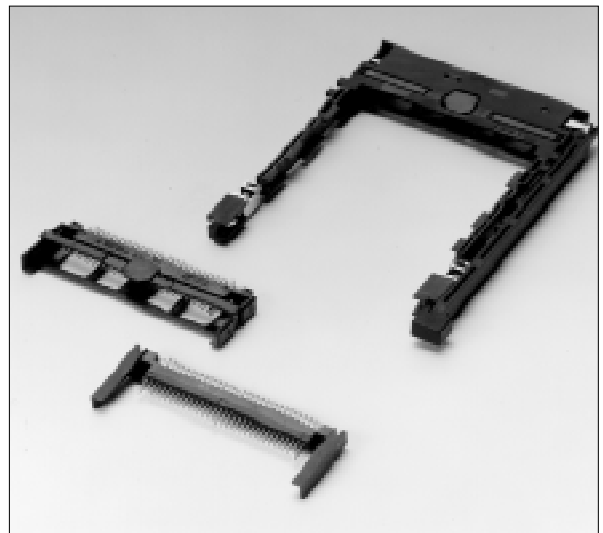


MEMORY CARD CONNECTORS (PCMCIA CONFORMABLE)

560H SERIES

■ FEATURES

- The connectors conform to the Japan Electronic Industry Development Association (JEIDA) and Personal Computer Memory Card International Association (PCMCIA) standards Ver. 4.
- Contact pitch of 1.27 mm (0.050 in.) x 1.27 mm (0.050 in.). Incorrect insertion is prevented. Hot system plugging is possible (contact detection).
- Plugs have an easy-to-use ejection mechanism.
- Raised mounting type connectors (under which components can be mounted) and low-profile connectors are available.
- In addition to connectors for type I and type II cards, a connector for type III cards has been provided.
- The sockets are of the SMT type. A straddle-type socket for double-sided mounting and a socket for single-sided mounting are available.



■ SPECIFICATIONS

Item	Specification
Operating temperature range	- 55°C to + 85°C
Current rating	DC 0.5 A
Voltage rating	AC 250 V
Contact resistance	40 mΩ max (6 VDC, 0.1 A)
Insulation resistance	1000 MΩ min. (500 VDC)
Dielectric withstanding voltage	500 VAC for 1 minute
Insertion/withdrawal life	Industrial environment: 5,000 times Office environment: 10,000 times

■ PIN CONNECTOR (PLUG) CONTACT LENGTH

Contact type	Pin No.	Contact length
Power, ground pins	1, 17, 34, 35, 51, 68	5.0 mm (0.196 in.)
Card detection pins	36, 67	3.5 mm (0.137 in.)
Other signal pins	Others	4.25 mm (0.167 in.)

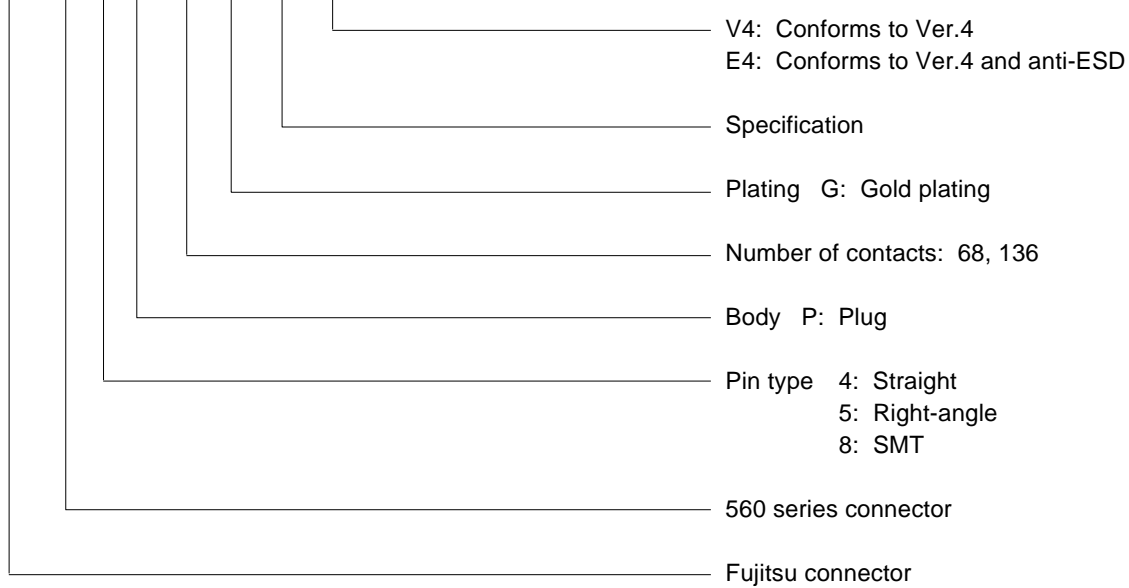
■ MATERIALS

Item	Specification
Insulating material	Plug body: PPS resin UL94V-0 : 6T nylon (for type III card connector) UL94V-0 Ejector: Polyester : PPS resin (for SMT and type III card connectors)
Conductor	Copper alloy
Plating	Contact: Gold over palladium over nickel (PAGOS) Terminal: Palladium

560H Series Connector Conforming to Ver. 4

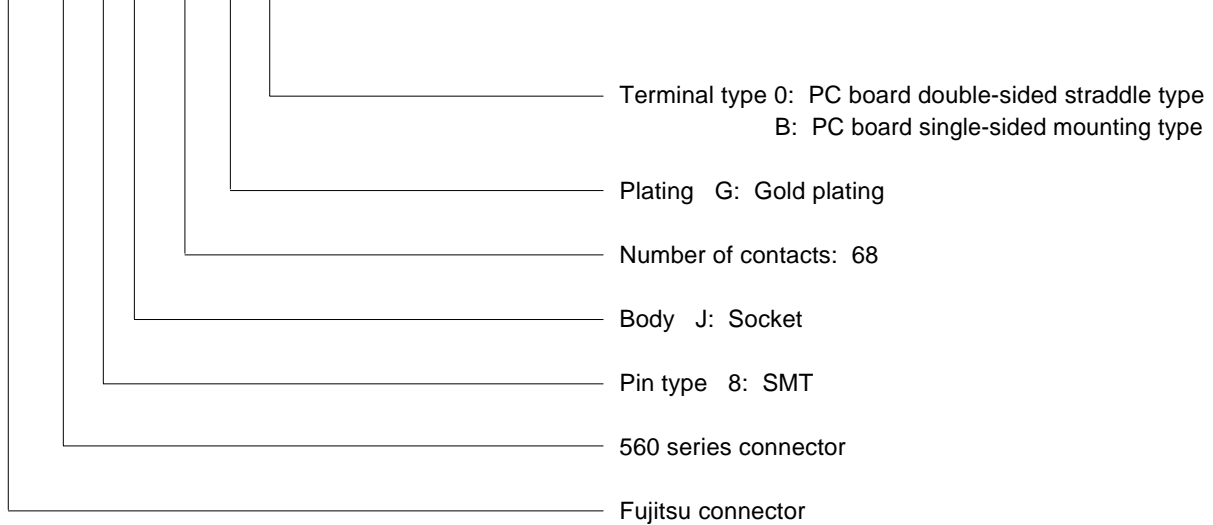
■ ORDERING PART NUMBER [PLUG]

FCN-56 5 P 068-G / XC-V4



■ ORDERING PART NUMBER [SOCKET]

FCN-56 8 J 068-G / 0



560H Series Connector Conforming to Ver. 4

RIGHT-ANGLE PLUG, THROUGH HOLE TYPE (WITH NO EJECTOR, STANDARD TYPE) SUPPORTS TYPE I, II CARDS

■ DIMENSIONS AND PC BOARD MOUNTING HOLE LAYOUT (MOUNTING SIDE)

Part number: FCN-565P068-G/C-V4

Unit: mm (in.)

- Models with a board lock (metal fitting for direct mounting) are also available. Part number: FCN-565P068-G/12-V4 (for 1.2 mm (0.047 in.) to 1.6 mm (0.063 in.) thick PC board)
FCN-565P068-G/08-V4 (for 1.0 mm (0.039 in.) thick PC board)
- Long-terminal models are also available. Part number: FCN-565P068-G/13-V4 (4 mm (0.157 in.))
FCN-565P068-G/02-V4 (10 mm (0.394 in.))
- Models which support Type III are also available. Part number: FCN-565P068-G/17-V4
FCN-565P068-G/18-V4 (with board lock, for 1.2 mm (0.047 in.) to 1.6 mm (0.063 in.) thick PC board)

RIGHT-ANGLE PLUG, THROUGH HOLE TYPE (WITH NO EJECTOR, LOW-PROFILE TYPE) SUPPORTS TYPE I, II CARDS

■ DIMENSIONS AND PC BOARD MOUNTING HOLE LAYOUT (MOUNTING SIDE)

Part number: FCN-565P068-G/01-V4

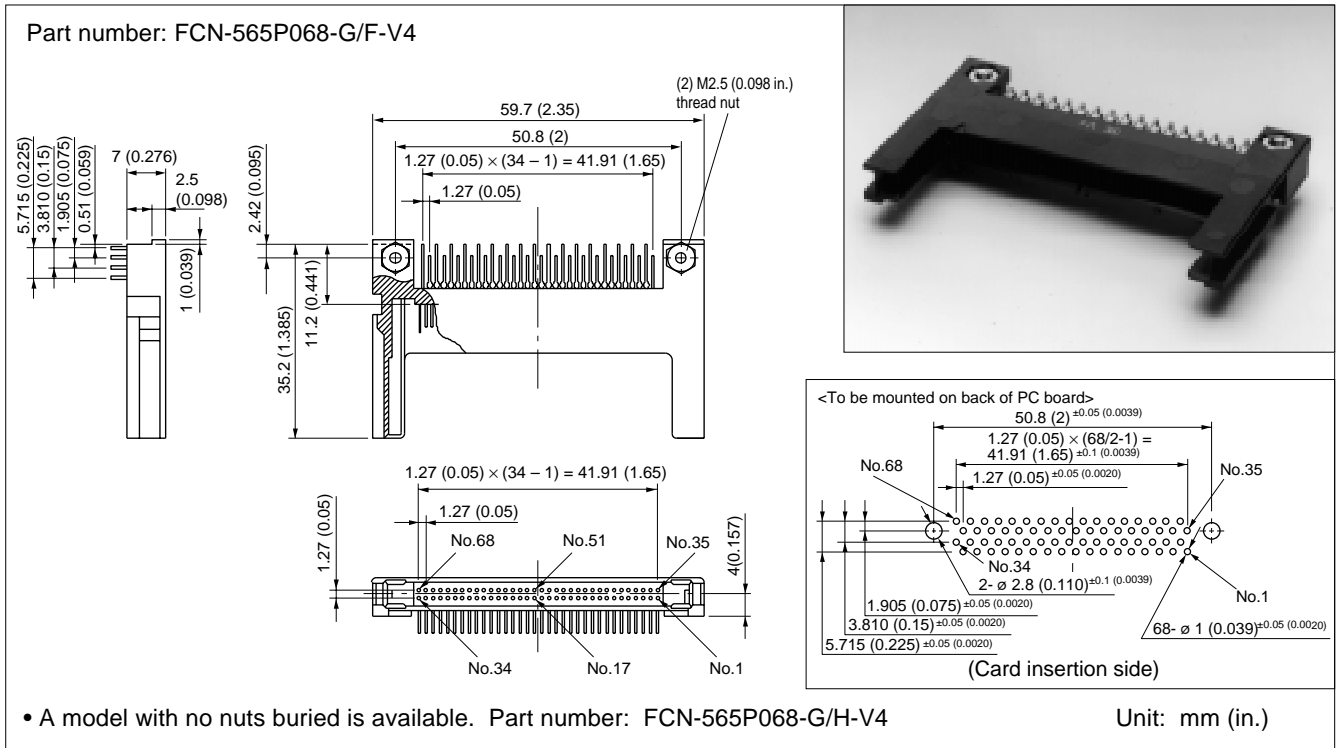
Unit: mm (in.)

Use M2.5 (0.098 in) nut and screws. Screw torque is 3.2 kg/cm.
In order to avoid damage to the connector, do not pull out the card at an angle.

560H Series Connector Conforming to Ver. 4

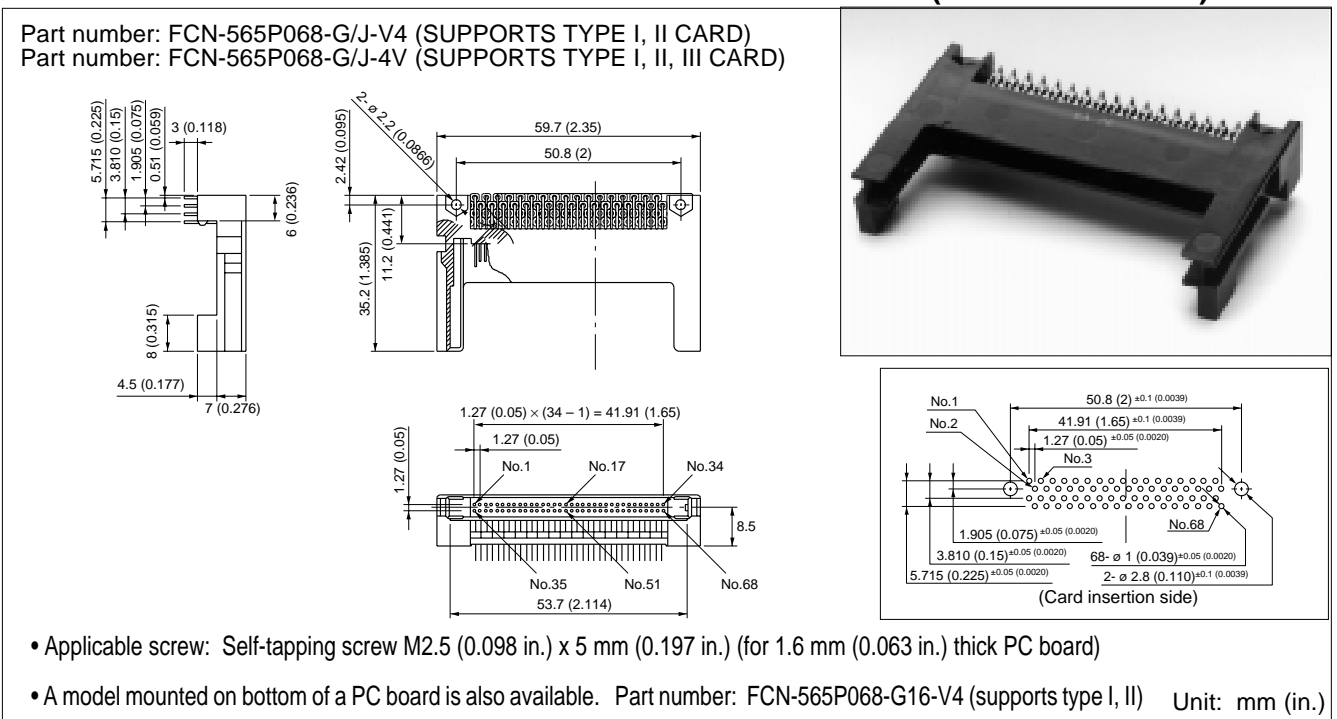
RIGHT-ANGLE PLUG, THROUGH HOLE TYPE (WITH NO EJECTOR, TO BE MOUNTED ON THE BACK OF THE PC BOARD) SUPPORTS TYPE I, II CARDS

■ DIMENSIONS AND PC BOARD MOUNTING HOLE LAYOUT (MOUNTING SIDE)



RIGHT-ANGLE PLUG, THROUGH HOLE TYPE (WITH NO EJECTOR, RAISED MOUNTING TYPE) SUPPORTS TYPE I, II CARDS

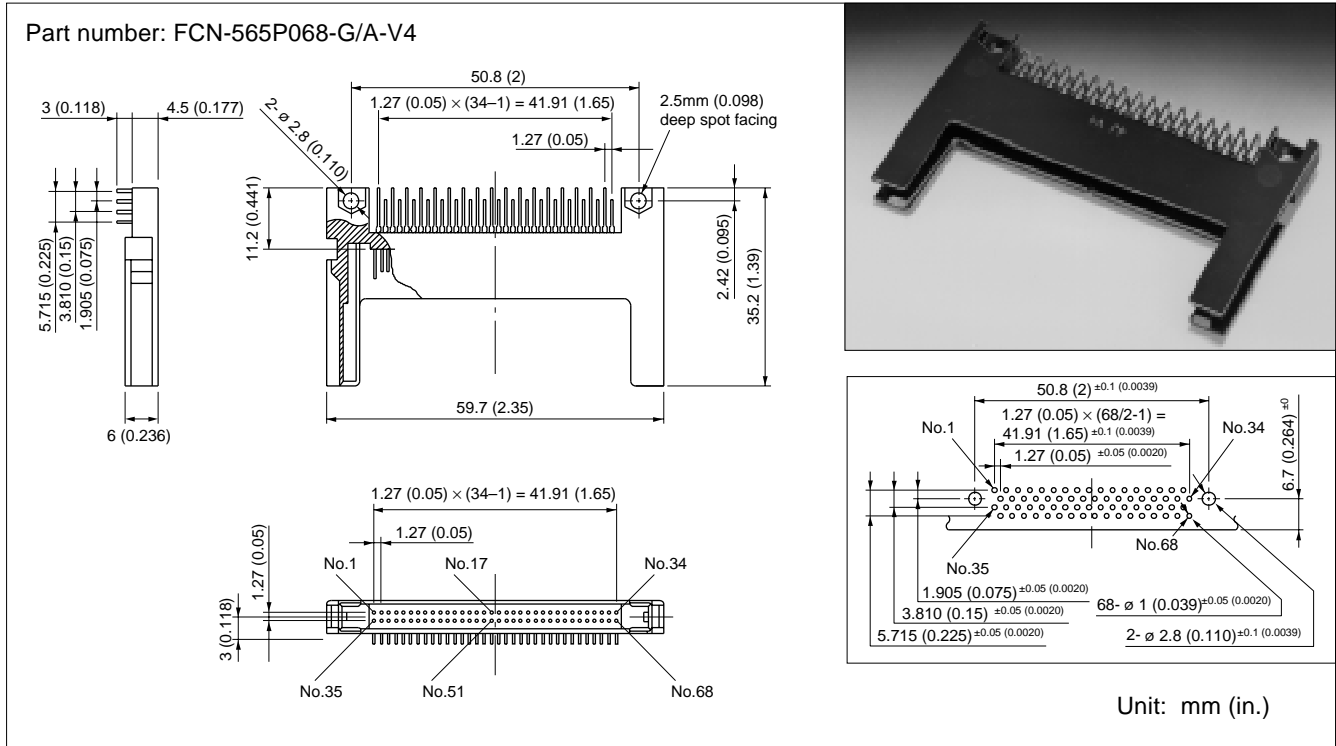
■ DIMENSIONS AND PC BOARD MOUNTING HOLE LAYOUT (MOUNTING SIDE)



560H Series Connector Conforming to Ver. 4

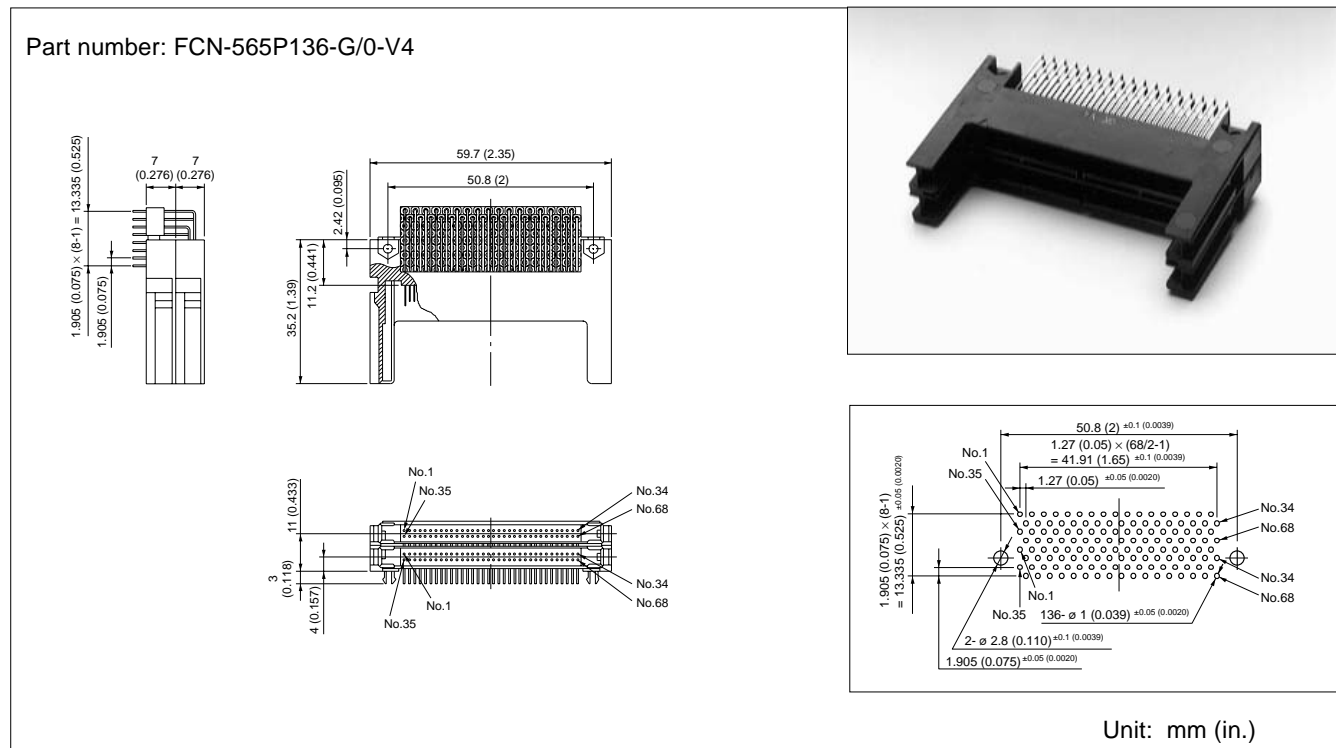
RIGHT-ANGLE PLUG, THROUGH HOLE TYPE (WITH NO EJECTOR, SUNK MOUNTING TYPE) SUPPORTS TYPE I, II CARDS

■ DIMENSIONS AND PC BOARD MOUNTING HOLE LAYOUT (MOUNTING SIDE)



RIGHT-ANGLE PLUG, THROUGH HOLE TYPE (WITH NO EJECTOR, TWO LAYER STACK TYPE)

■ DIMENSIONS AND PC BOARD MOUNTING HOLE LAYOUT (MOUNTING SIDE)

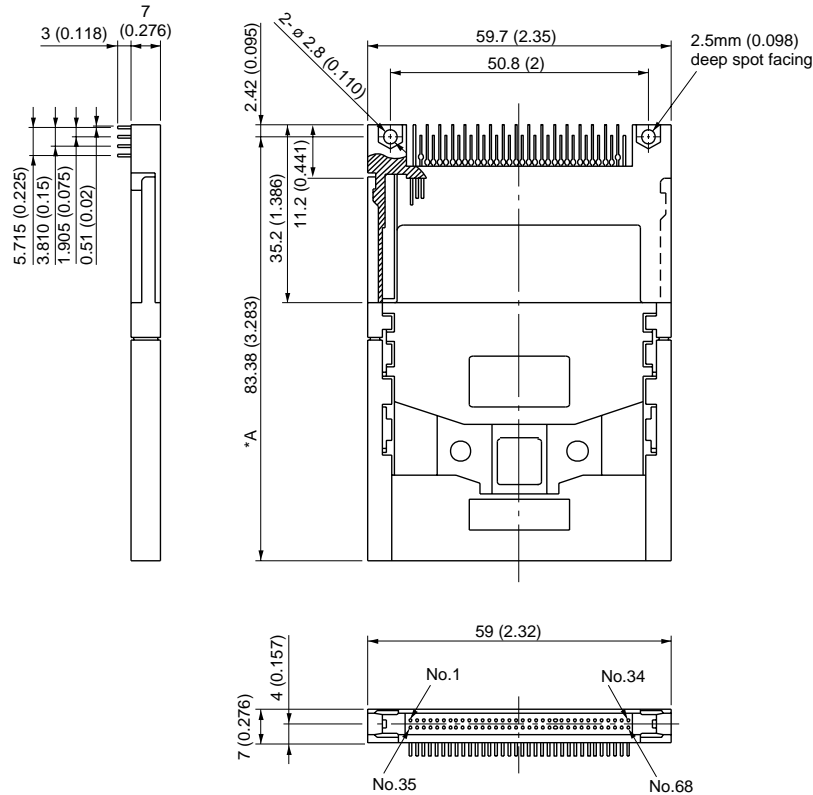


560H Series Connector Conforming to Ver. 4

RIGHT-ANGLE PLUG, THROUGH HOLE TYPE (WITH NO EJECTOR, WITH GUIDE) SUPPORTS TYPE I, II CARDS

■ DIMENSIONS

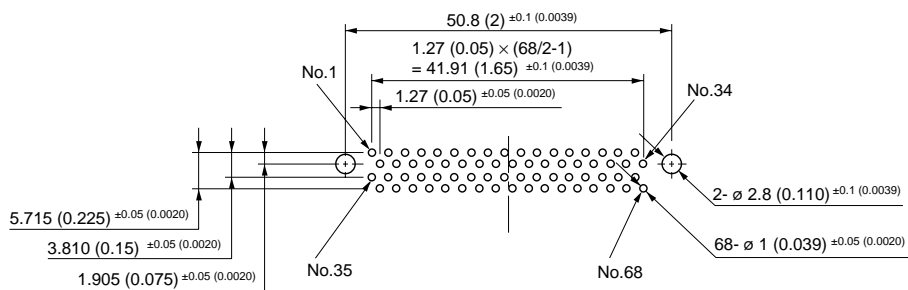
Part number: FCN-565P068-G/C34-V4



Unit: mm (in.)

*A 60.48 mm (2.381 in.) model is also available. FCN-565P068-G/C32-V4

■ PC BOARD MOUNTING HOLE LAYOUT (MOUNTING SIDE)



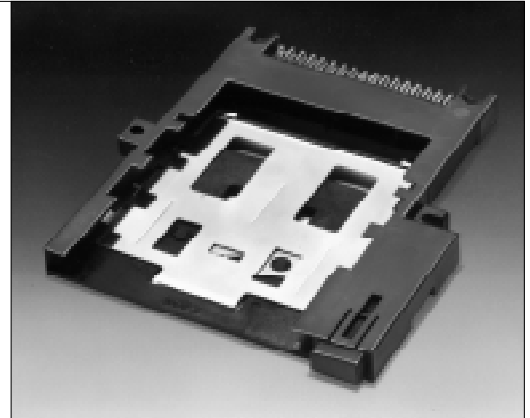
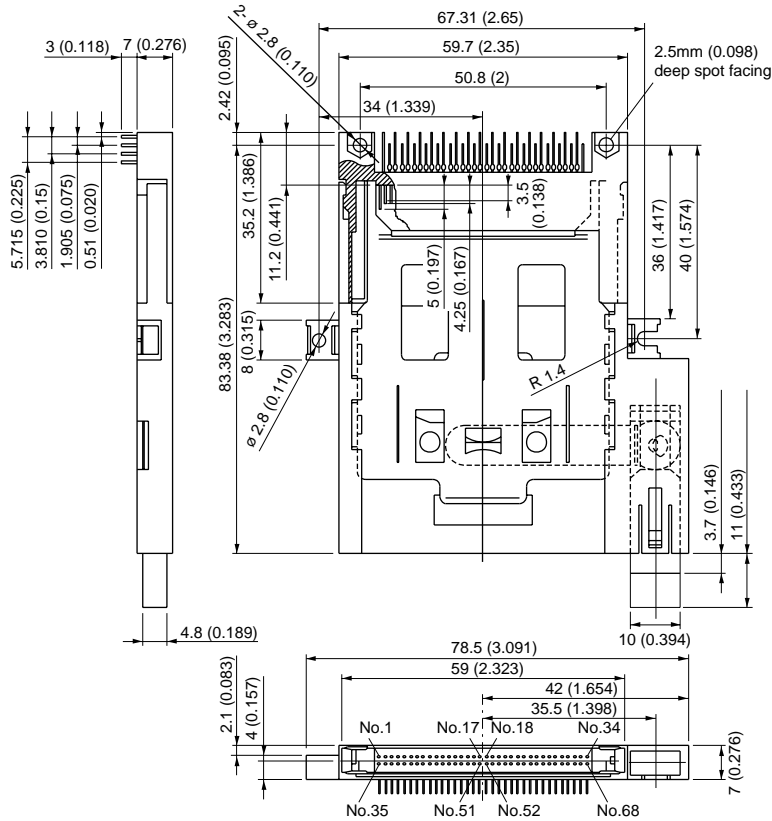
Unit: mm (in.)

560H Series Connector Conforming to Ver. 4

RIGHT-ANGLE PLUG, THROUGH-HOLE TYPE (WITH RIGHT-BUTTON EJECTOR) SUPPORTS TYPE I, II CARDS

■ DIMENSIONS

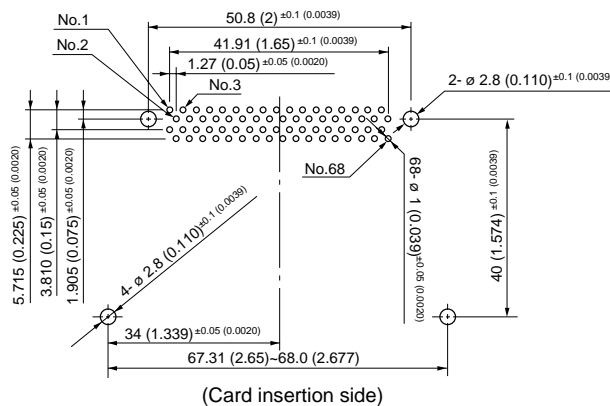
Part number: FCN-565P068-G/XC-V4 (Type I, II Card, Button color: Black)
 Part number: FCN-565P068-G/XC-4V (Type I, II, III Card, Button color: Black)
 Part number: FCN-565P068-G/PC-V4 (Type I, II Card, Button color: Beige)



Unit: mm (in.)

A model with an FG accessory for ESD protection is also available. Specify part number FCN-565P068-G/C23-E4, instead of FCN-565P068-G/XC-V4.

■ PC BOARD MOUNTING HOLE LAYOUT (MOUNTING SIDE)



(Card insertion side)

Unit: mm (in.)

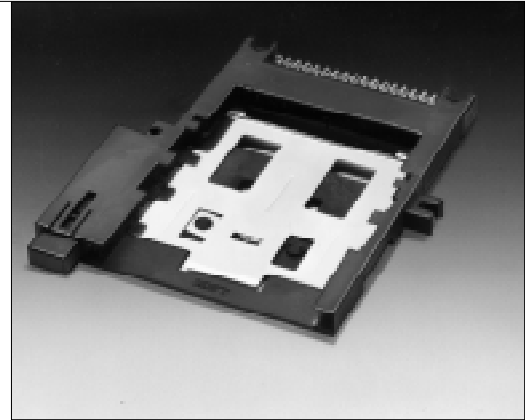
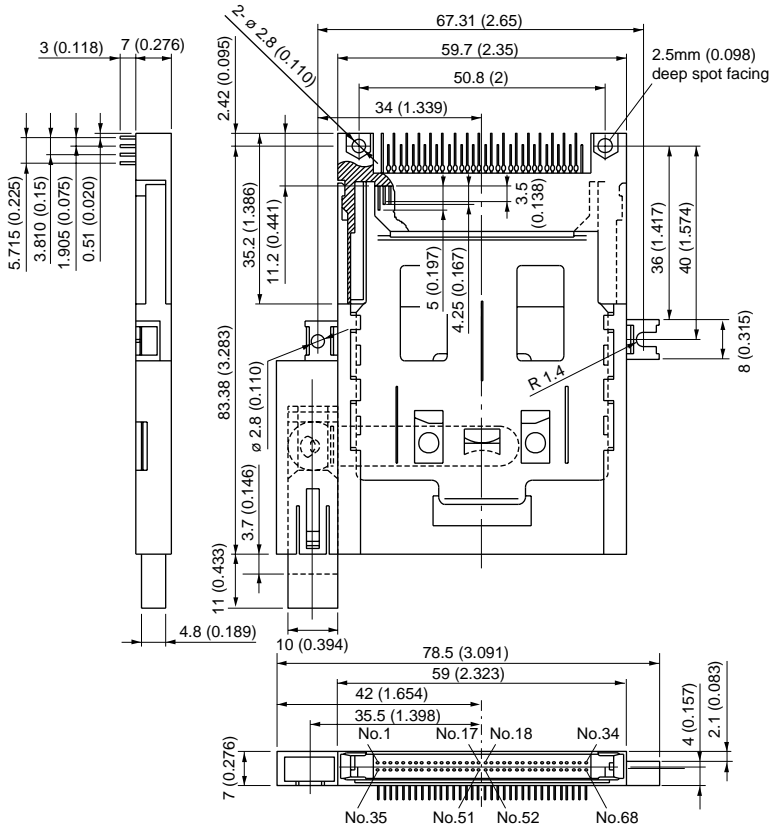
560H Series Connector Conforming to Ver. 4

RIGHT-ANGLE PLUG, THROUGH-HOLE TYPE (WITH LEFT-BUTTON EJECTOR) SUPPORTS TYPE I, II CARDS

■ DIMENSIONS

Part number: FCN-565P068-G/MC-V4 (Button color: Black)

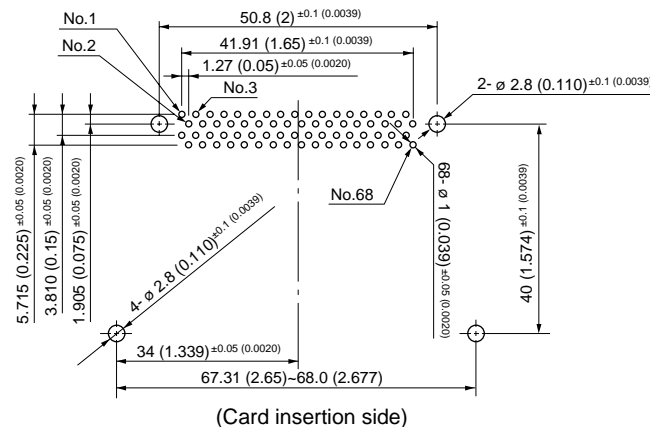
Part number: FCN-565P068-G/C22-V4 (Button color: Beige)



Unit: mm (in.)

Models with an FG accessory ESD protection are also available. Specify part number FCN-565P068-G/KC-E4 instead of FCN-565P068-G/MC-V4, or specify FCN-565P068-G/C33-E4 instead of FCN-565P068-G/C22-V4.

■ PC BOARD MOUNTING HOLE LAYOUT (MOUNTING SIDE)

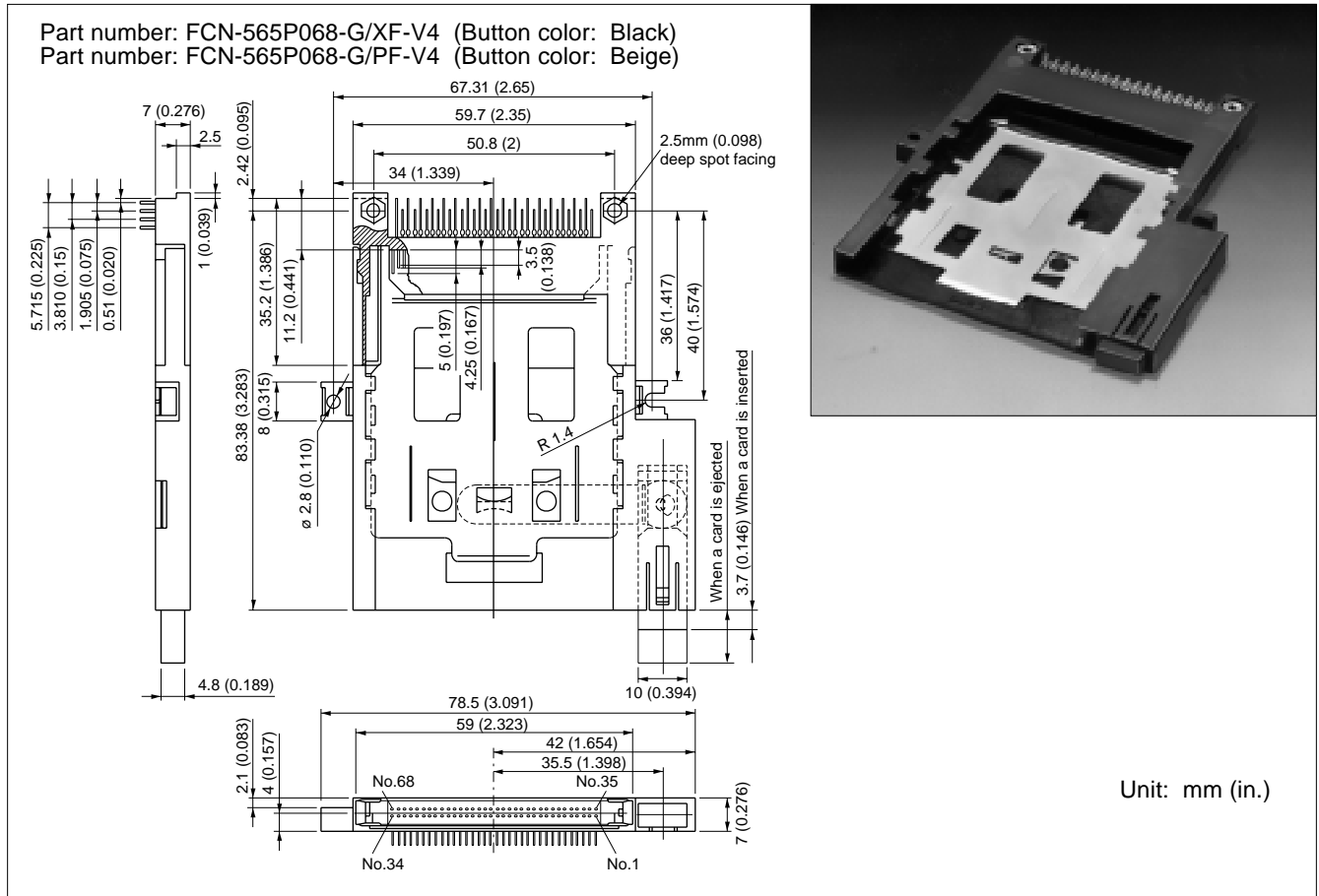


Unit: mm (in.)

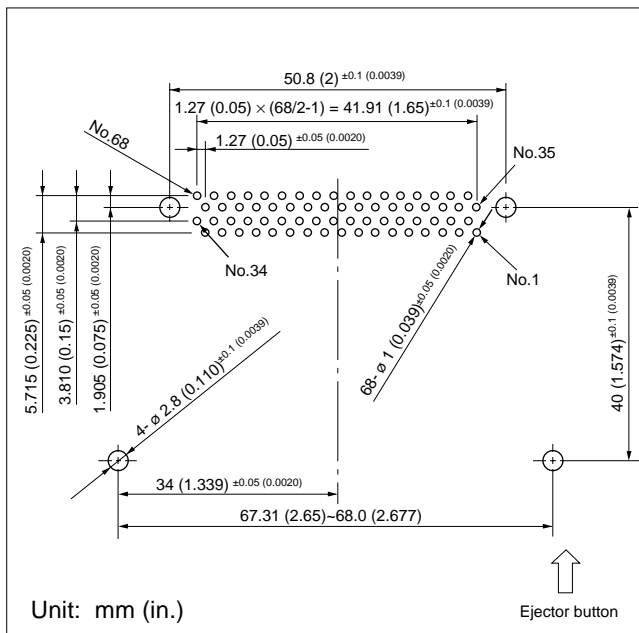
560H Series Connector Conforming to Ver. 4

RIGHT-ANGLE PLUG, THROUGH HOLE TYPE (WITH RIGHT-BUTTON EJECTOR, TO BE MOUNTED ON THE BACK OF THE PC BOARD) SUPPORTS TYPE I, II CARDS

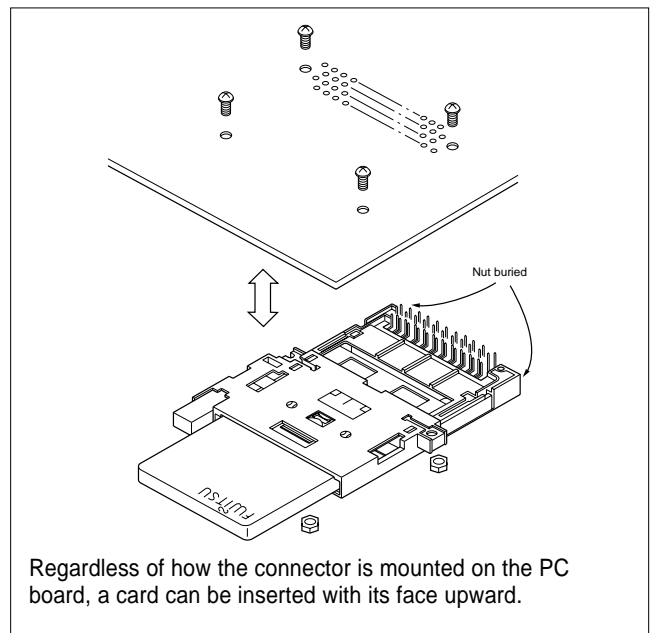
■ DIMENSIONS



■ PC BOARD MOUNTING HOLE LAYOUT (MOUNTING SIDE)



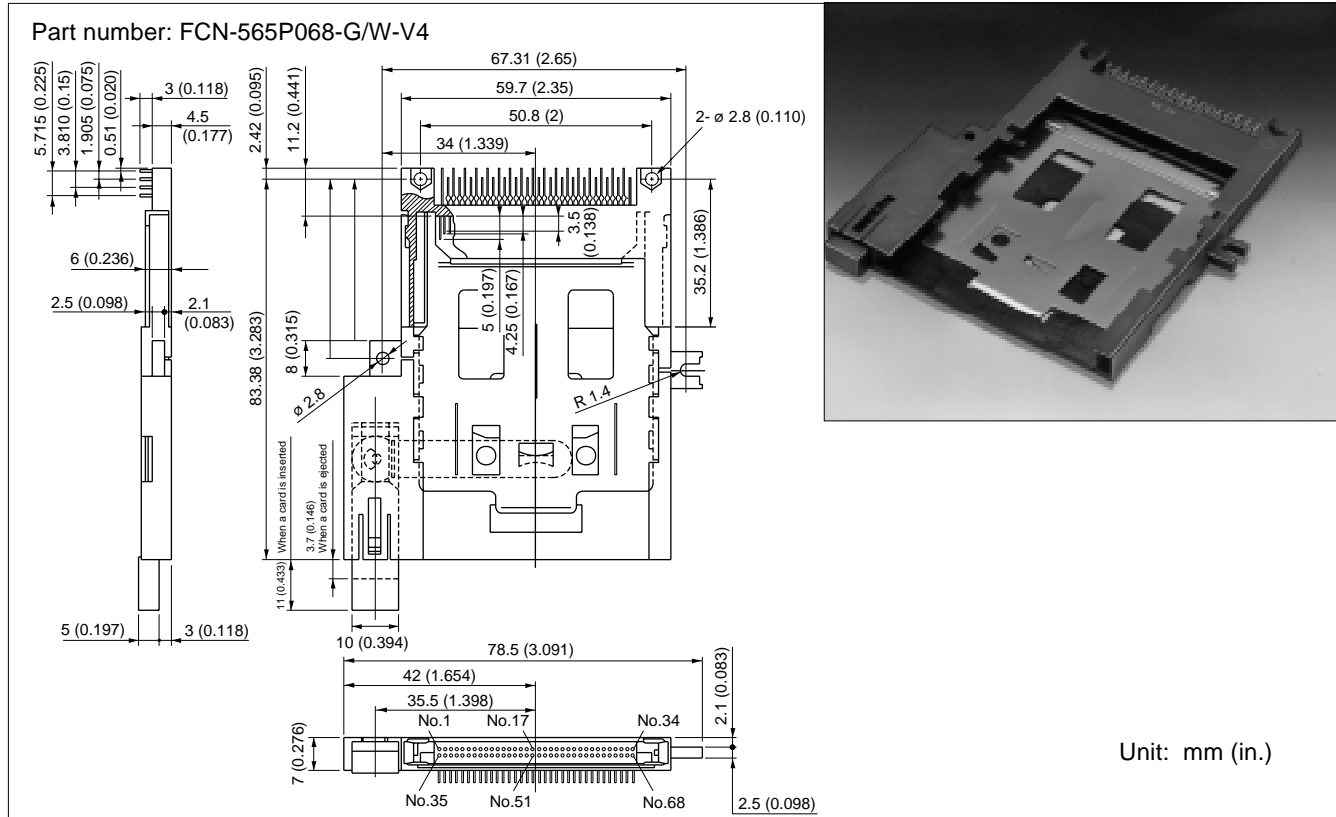
■ MOUNTING EXAMPLE



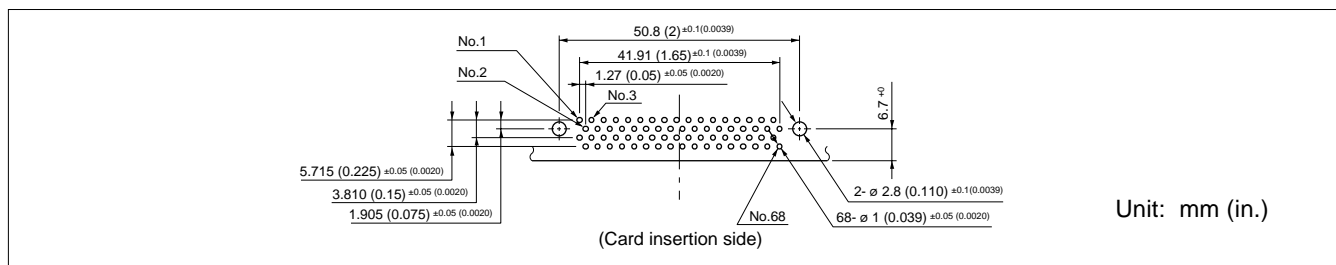
560H Series Connector Conforming to Ver. 4

RIGHT-ANGLE PLUG, THROUGH-HOLE TYPE (WITH LEFT-BUTTON EJECTOR, SUNK MOUNTING TYPE) SUPPORTS TYPE I, II CARDS

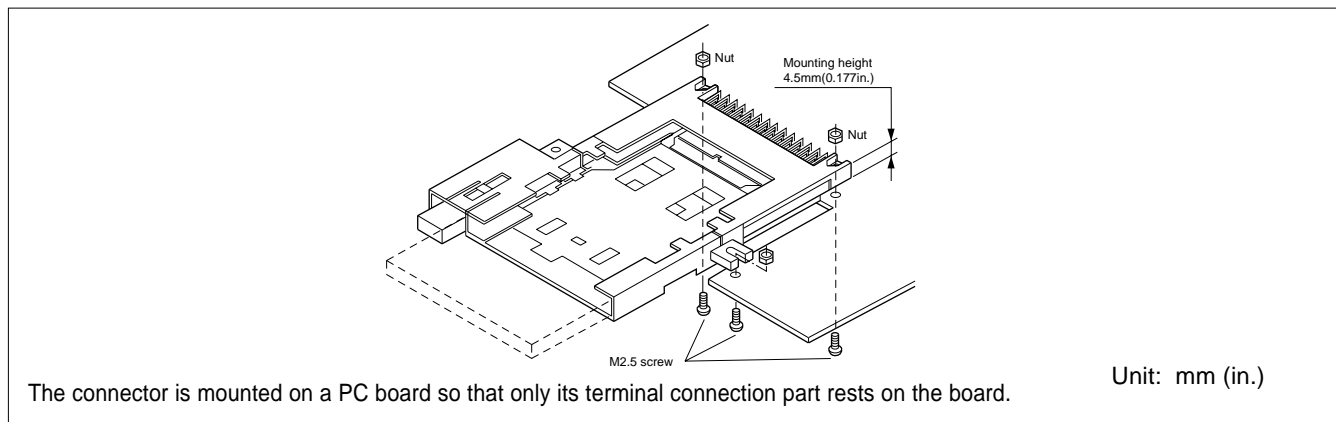
■ DIMENSIONS



■ PC BOARD MOUNTING HOLE LAYOUT (MOUNTING SIDE)



■ MOUNTING EXAMPLE

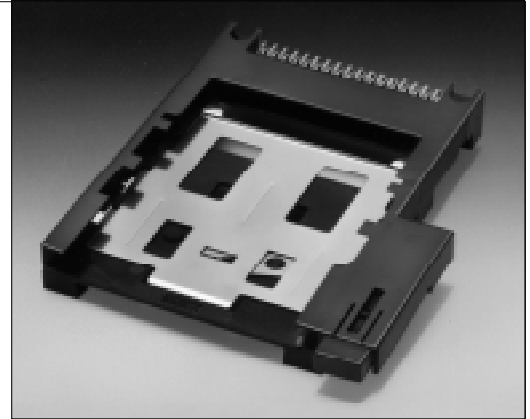
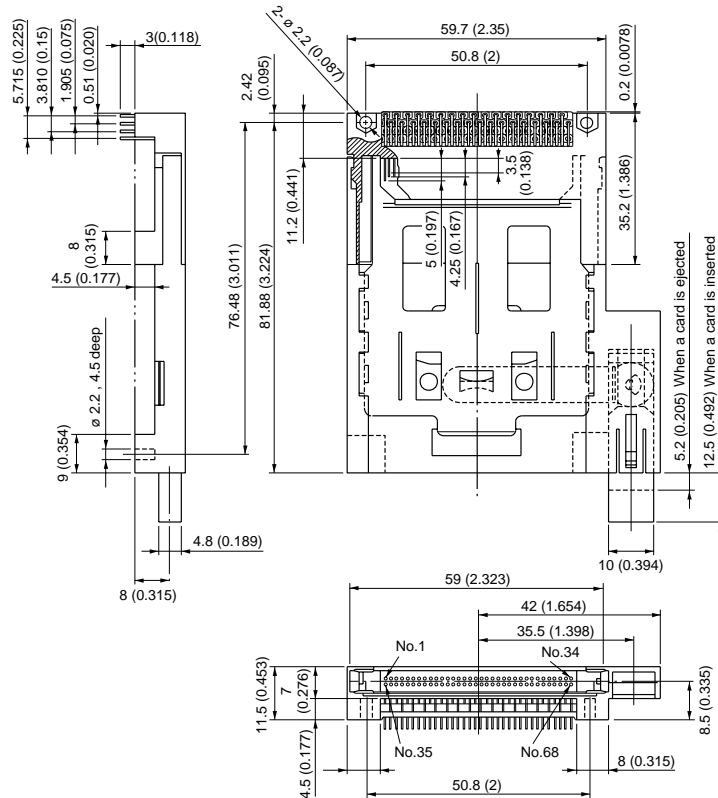


560H Series Connector Conforming to Ver. 4

RIGHT-ANGLE PLUG, THROUGH-HOLE TYPE (WITH RIGHT-BUTTON EJECTOR, 4.5 MM (0.177 IN.) RAISED TYPE) SUPPORTS TYPE I, II CARDS

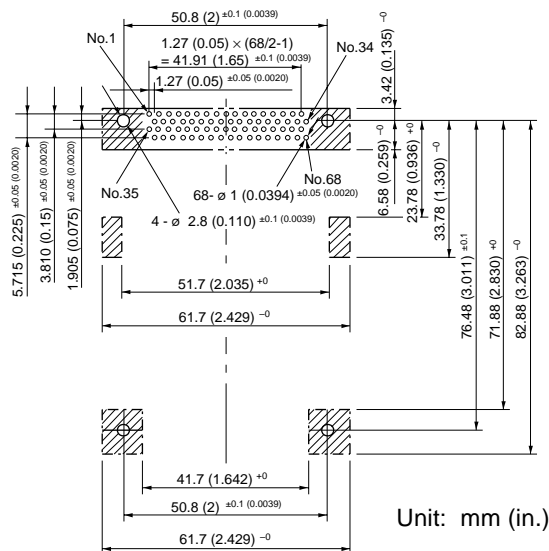
■ DIMENSIONS

Part number: FCN-565P068-G/J25-V4 (supports type I, II card)
 Part number: FCN-565P068-G/J25-4V (supports type I, II, III card)



Unit: mm (in.)

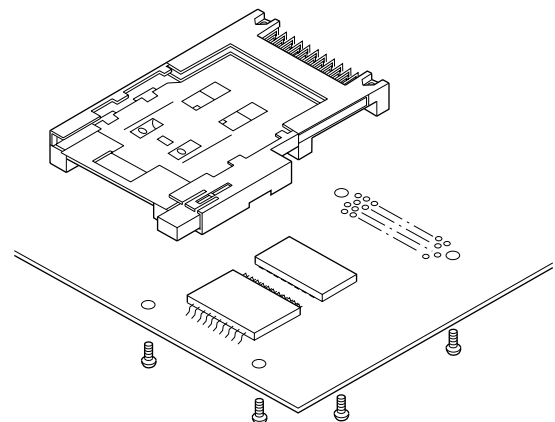
■ PC BOARD MOUNTING HOLE LAYOUT (MOUNTING SIDE)



Unit: mm (in.)

Component mounting is prohibited in the hatched areas.

■ MOUNTING EXAMPLE

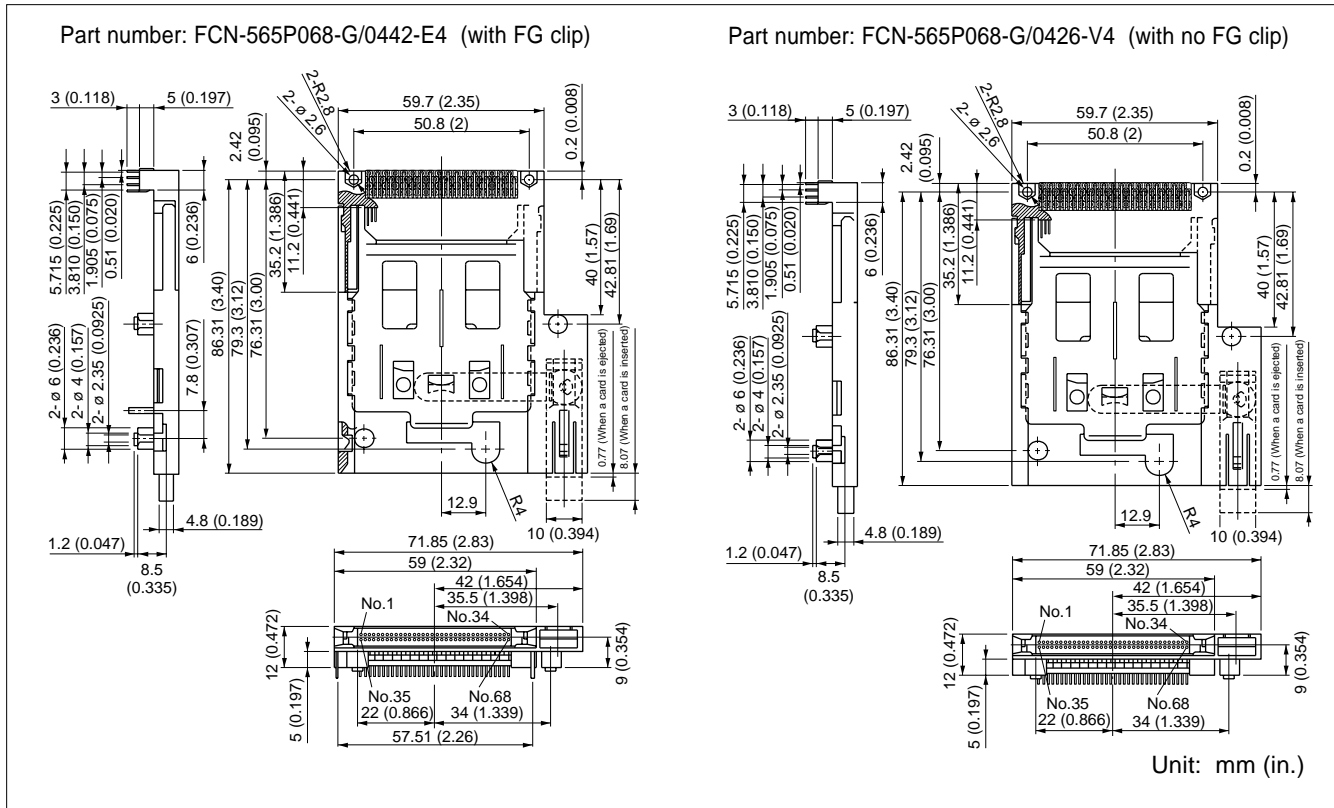


- Components with a height of 4.3 mm (0.169 in.) maximum can be installed under the connector.
- Use M2.5 mm (0.098 in.) x 5 mm (0.197 in.) self-tapping screws (when a 1.6 mm (0.063 in.) thick PC board is used) to mount the connector to the board.

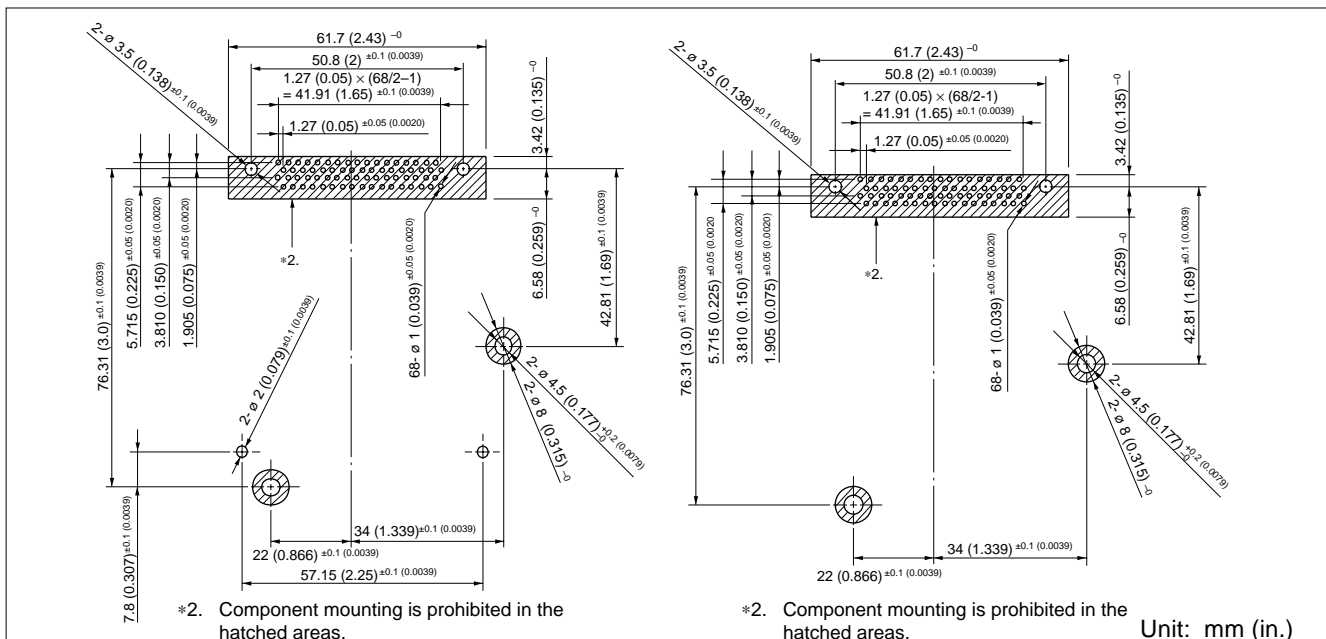
560H Series Connector Conforming to Ver. 4

RIGHT-ANGLE PLUG, THROUGH-HOLE TYPE (WITH RIGHT-BUTTON EJECTOR, 5 mm (0.197 in.) RAISED TYPE, WITH OR WITHOUT FG CLIP) SUPPORTS TYPE I, II CARDS

DIMENSIONS



PC BOARD MOUNTING HOLE LAYOUT (MOUNTING SIDE)

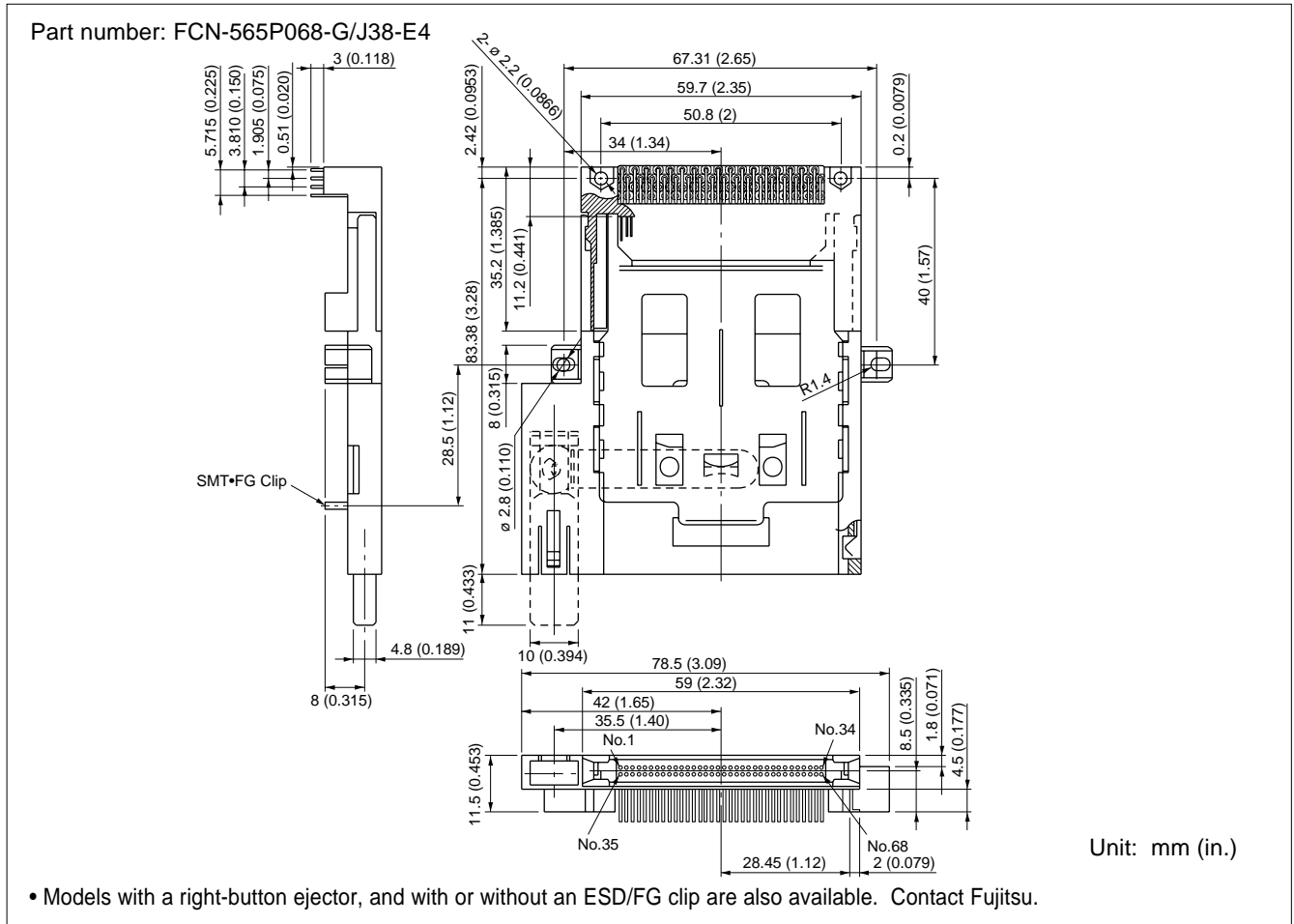


- Use M3 mm (0.118 in.) x 5.5 mm (0.217 in.) thread self-tapping screws (when a 1.6 mm (0.063 in.) thick PC board is used) to mount the connector to the board.

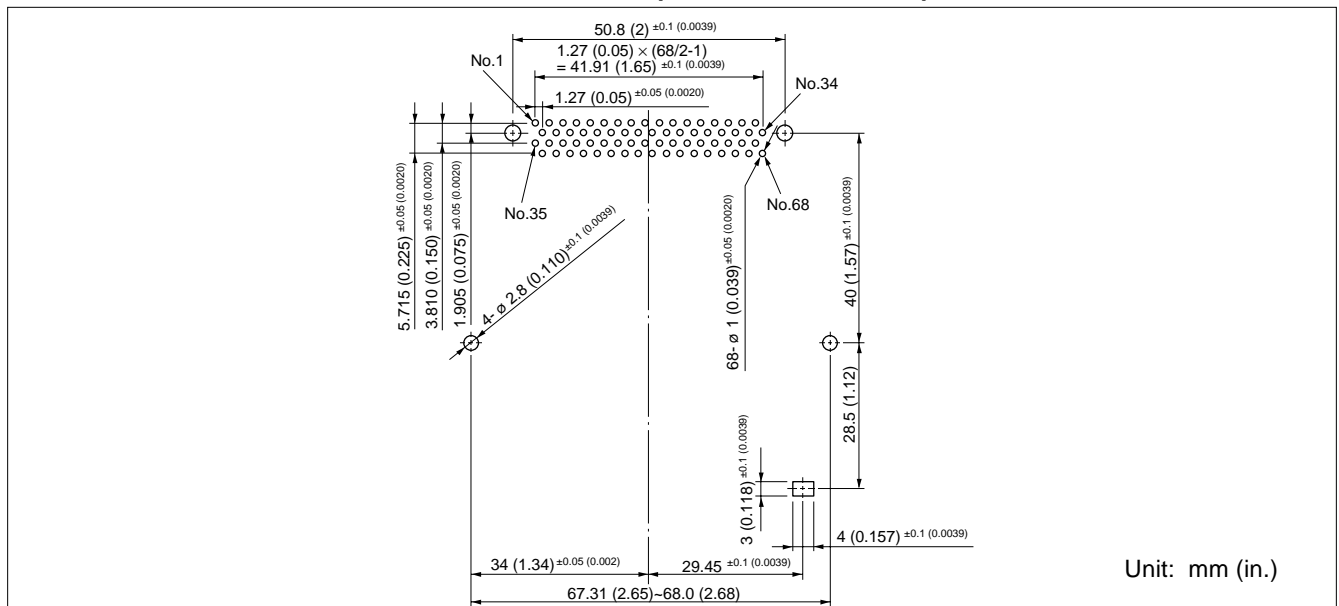
560H Series Connector Conforming to Ver. 4

RIGHT-ANGLE PLUG, THROUGH HOLE TYPE (WITH LEFT-BUTTON EJECTOR, 4.5 mm (0.177 in.) RAISED TYPE, WITH FG CLIP FOR ESD PROTECTION) SUPPORTS TYPE I, II CARDS

■ DIMENSIONS



■ PC BOARD MOUNTING HOLE LAYOUT (MOUNTING SIDE)

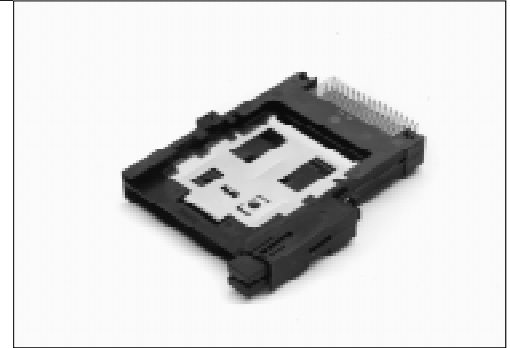
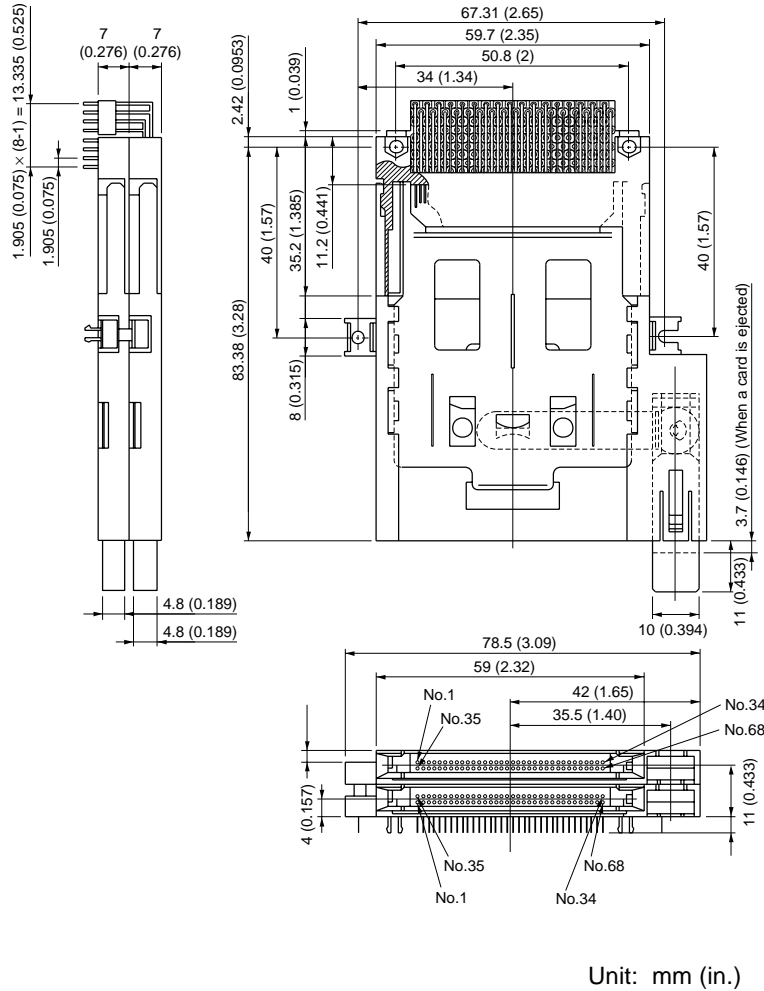


560H Series Connector Conforming to Ver. 4

RIGHT-ANGLE PLUG, THROUGH-HOLE TYPE (WITH RIGHT EJECT BUTTON, TWO LAYER EJECT TYPE)

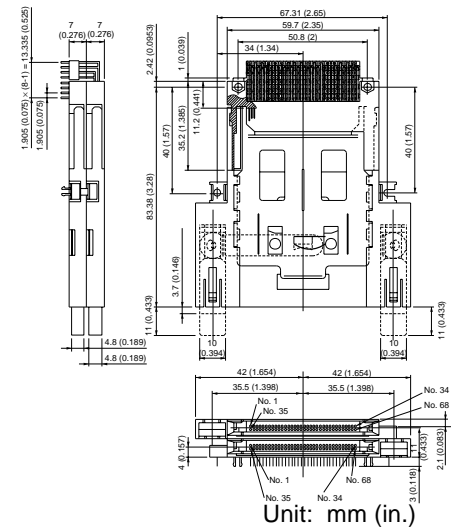
DIMENSIONS

Part Number: FCN-565P136-G/Z-V4

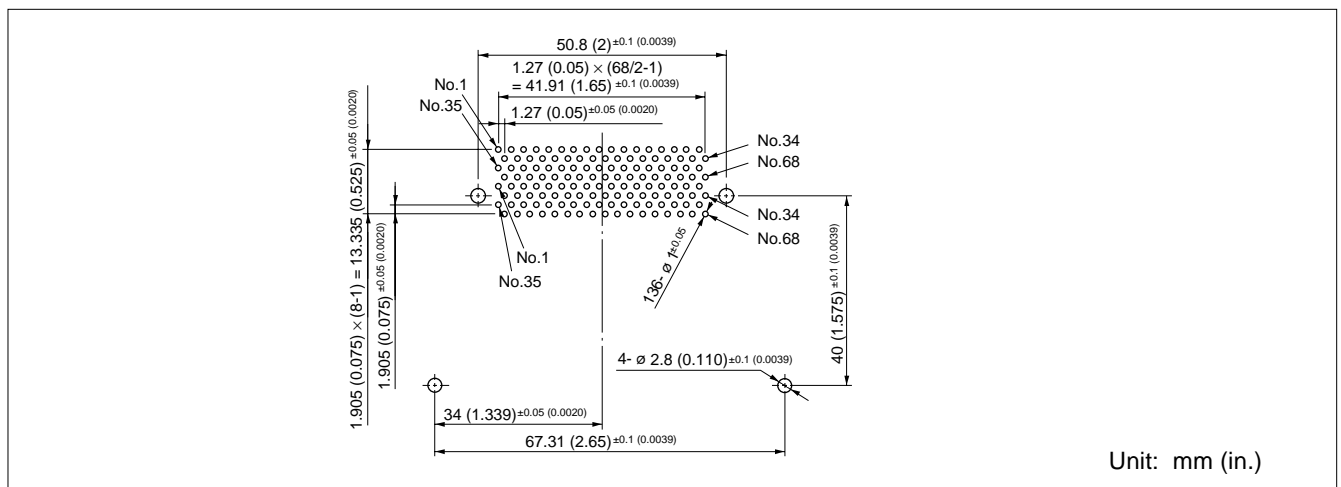


Connector with the left and right ejector buttons

Part Number: FCN-565P 136G/005-V4



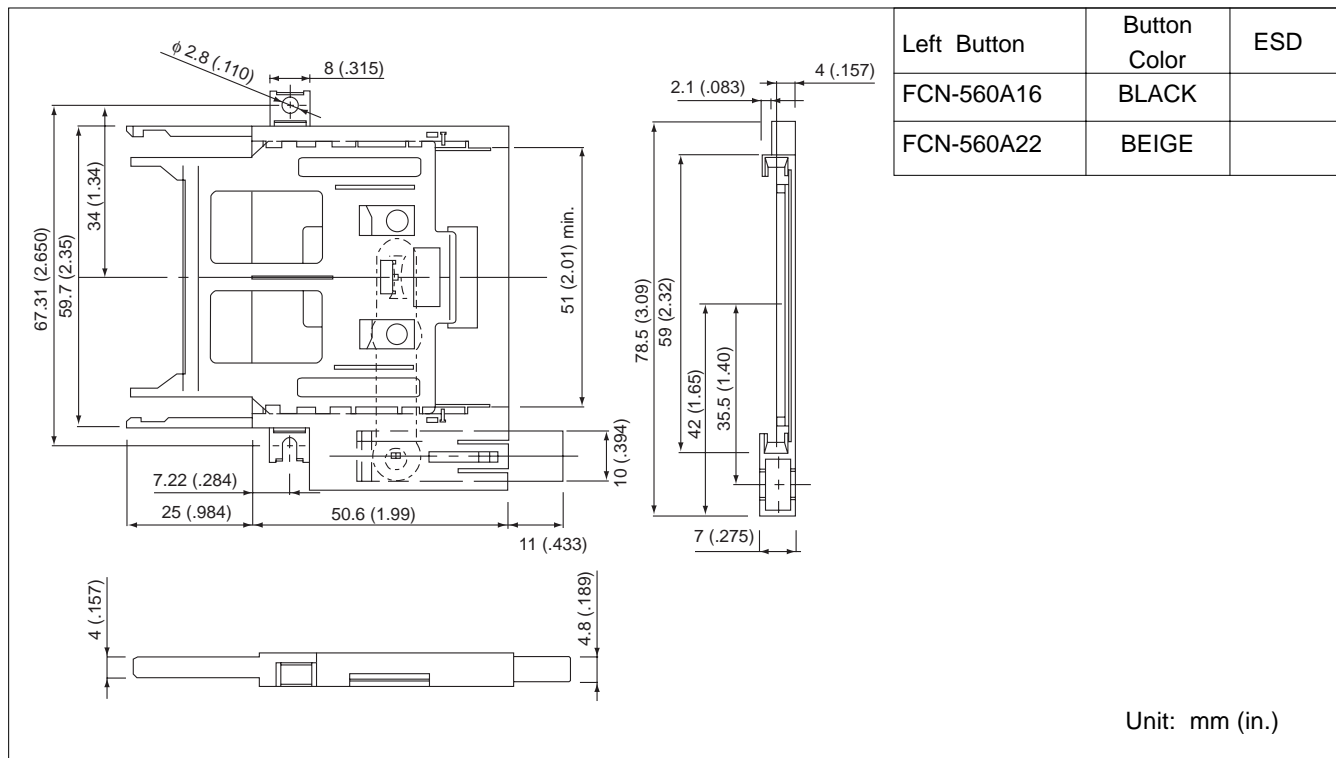
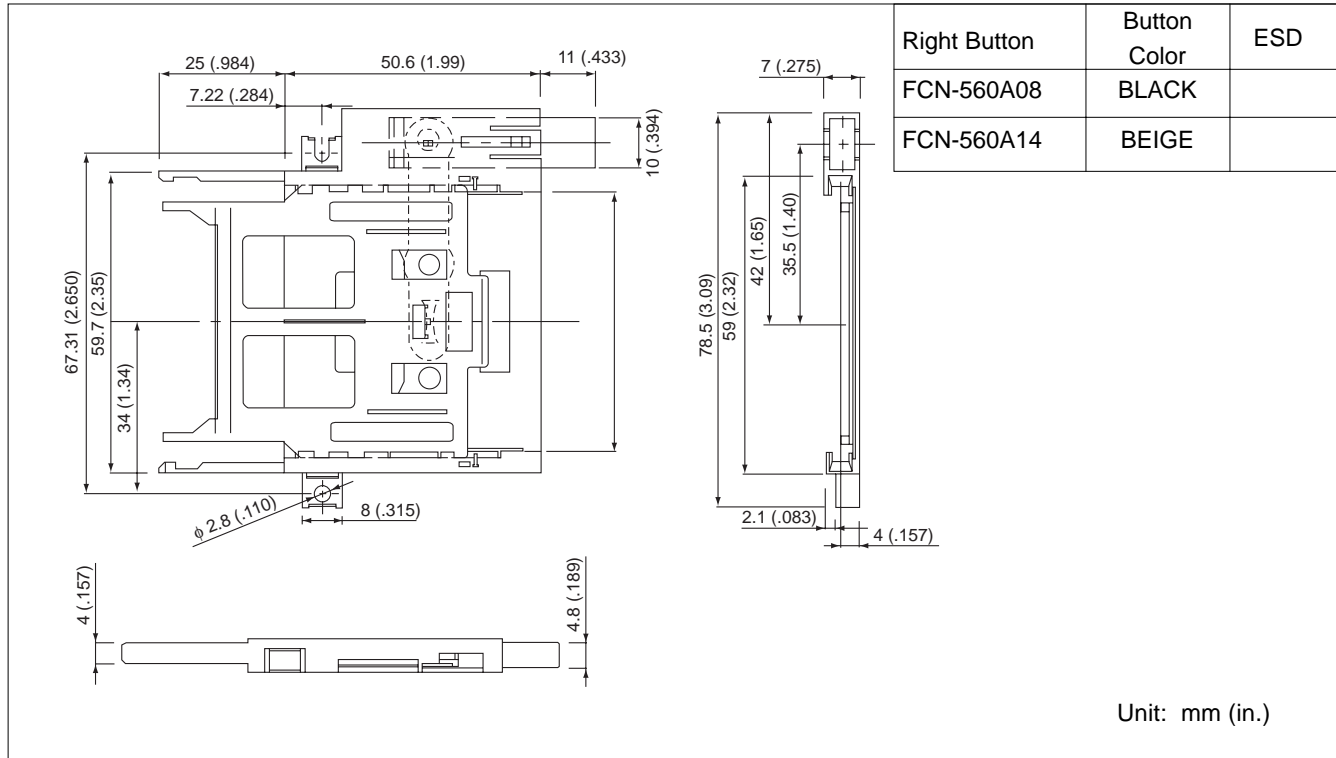
PC BOARD MOUNTING HOLE LAYOUT (MOUNTING SIDE)



560H Series Connector Conforming to Ver. 4

FCN-560A*** EJECTORS FOR FCN-564/565 HEADERS

■ DIMENSIONS

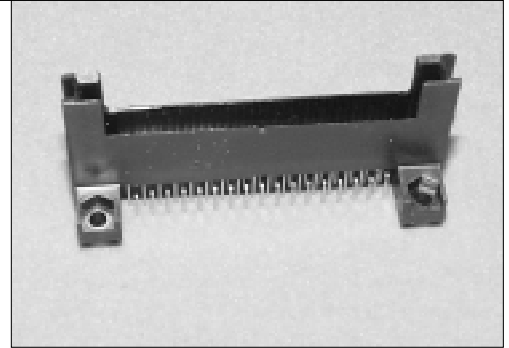
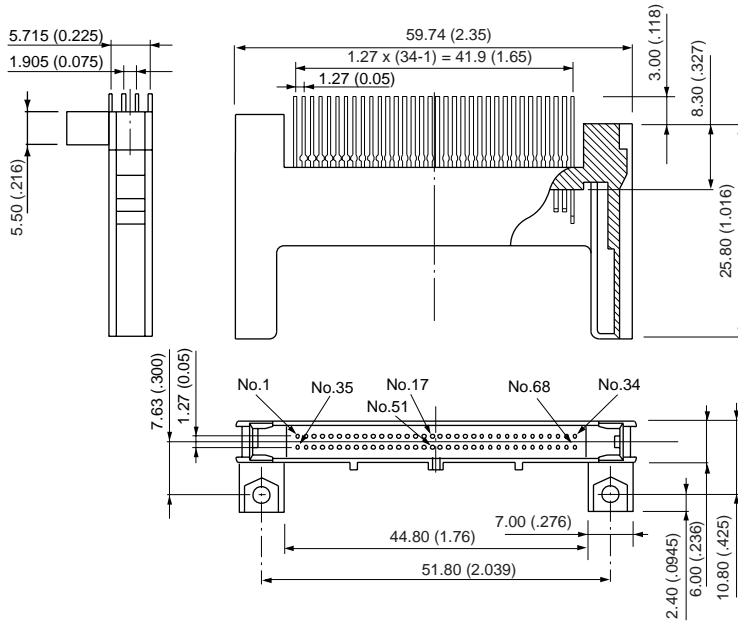


560H Series Connector Conforming to Ver. 4

STRAIGHT PLUG, THROUGH HOLE TYPE LOW PROFILE

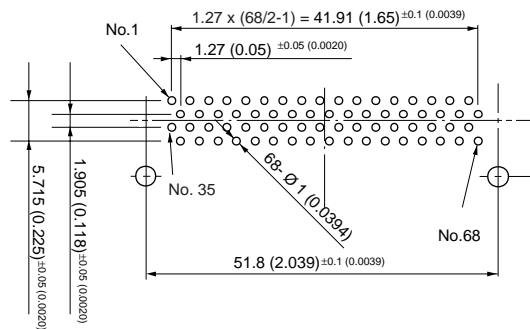
■ DIMENSIONS

Part number: FCN-564P068-G/A-V4



Unit: mm (in.)

■ PC BOARD MOUNTING HOLE LAYOUT (MOUNTING SIDE)



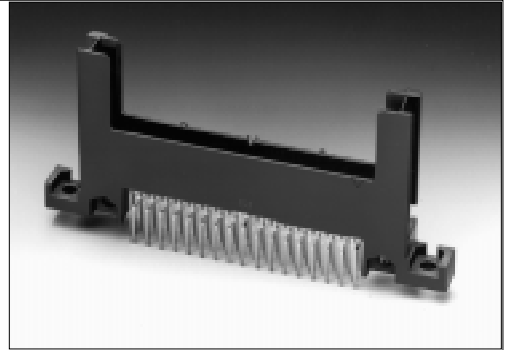
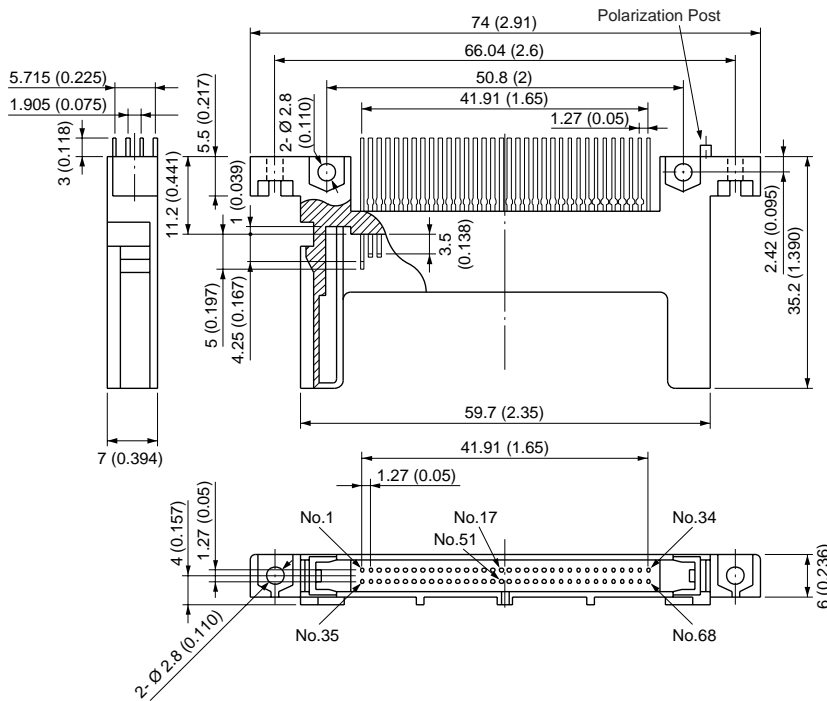
Unit: mm (in.)

560H Series Connector Conforming to Ver. 4

STRAIGHT PLUG, THROUGH-HOLE TYPE (WITH NO EJECTOR)

■ DIMENSIONS

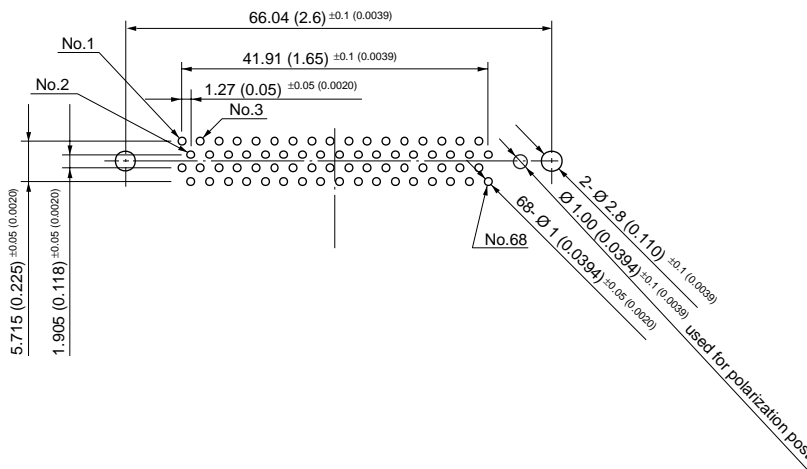
Part number: FCN-564P068-G/0-V4



Unit: mm (in.)

• A model with the feature of preventing mismatched board mounting is available. Contact Fujitsu.

■ PC BOARD MOUNTING HOLE LAYOUT (MOUNTING SIDE)

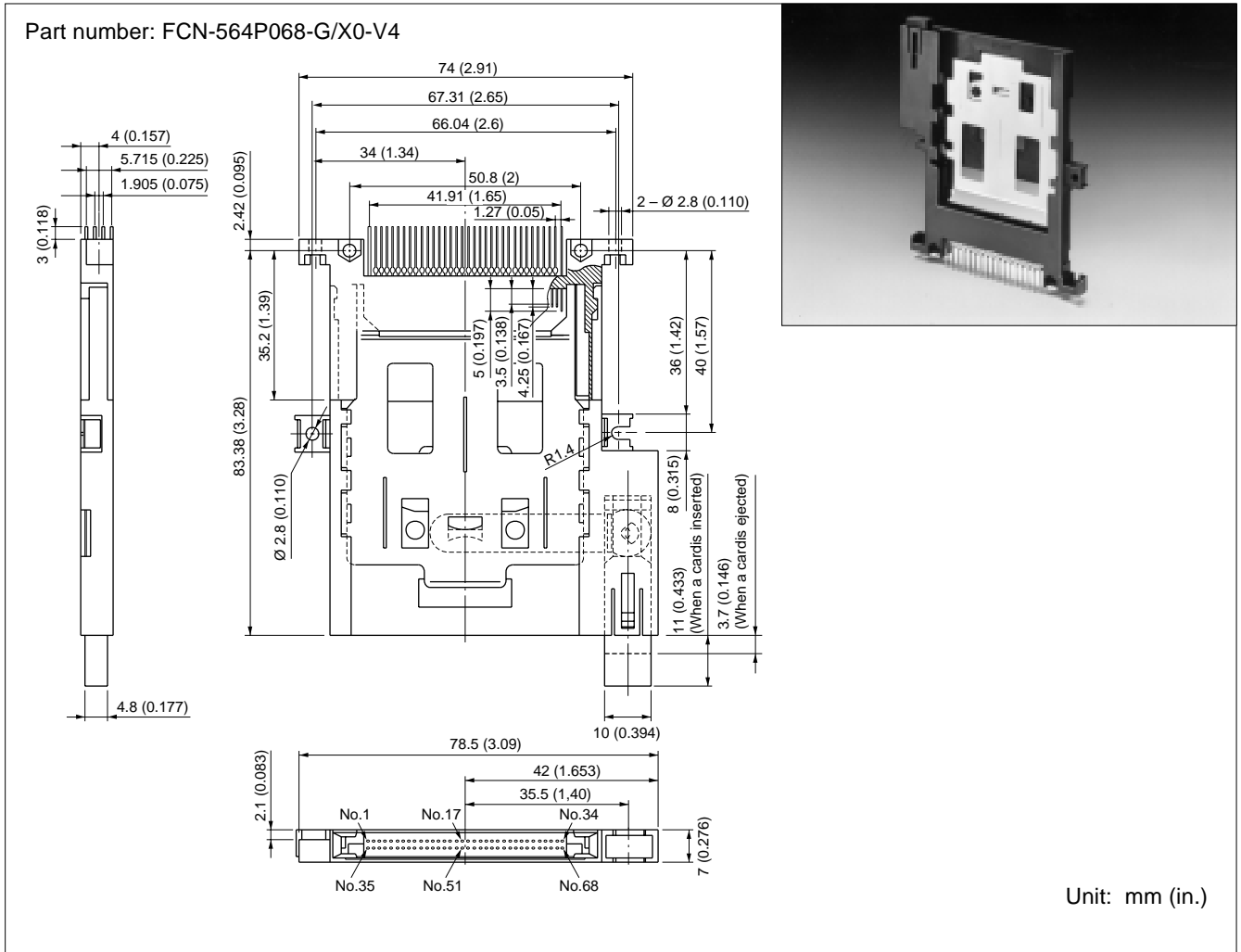


Unit: mm (in.)

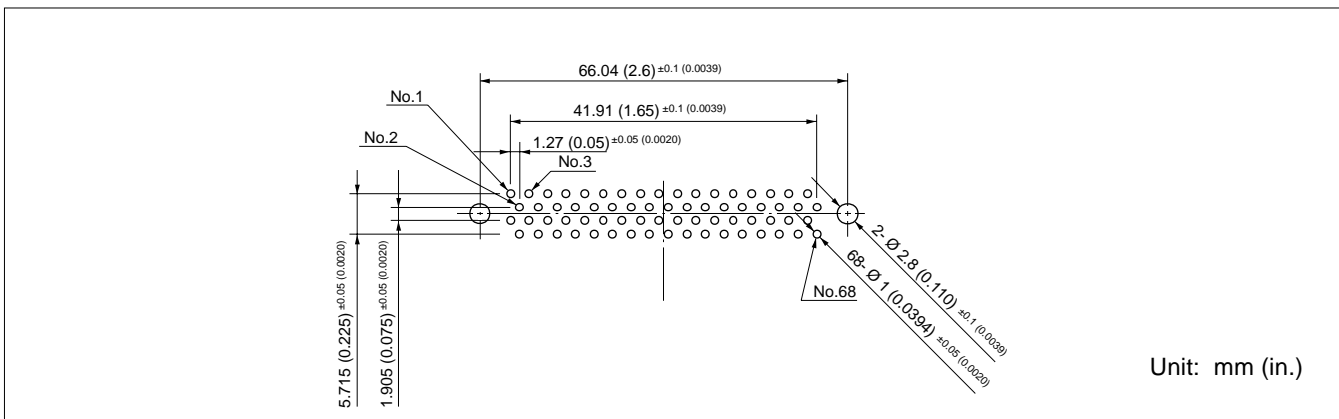
560H Series Connector Conforming to Ver. 4

STRAIGHT PLUG, THROUGH-HOLE TYPE (WITH EJECTOR)

■ DIMENSIONS



■ PC BOARD MOUNTING HOLE LAYOUT (MOUNTING SIDE)



560H Series Connector Conforming to Ver. 4

Fujitsu Components International Headquarter Offices

Japan

Fujitsu Component Limited
Gotanda-Chuo Building
3-5, Higashigotanda 2-chome, Shinagawa-ku
Tokyo 141-0022, Japan
Tel: (81-3) 5449-7010
Fax: (81-3) 5449-2626
Email: promothq@fcl.fujitsu.com
Web: www.fcl.fujitsu.com

North and South America

Fujitsu Components America, Inc.
250 E. Caribbean Drive
Sunnyvale, CA 94089 U.S.A.
Tel: (1-408) 745-4900
Fax: (1-408) 745-4970
Email: components@us.fujitsu.com
Web: <http://us.fujitsu.com/components>

Europe

Fujitsu Components Europe B.V.
Diamantlaan 25
2132 WV Hoofddorp
Netherlands
Tel: (31-23) 5560910
Fax: (31-23) 5560950
Email: info@fceu.fujitsu.com
Web: emea.fujitsu.com/components

Asia Pacific

Fujitsu Components Asia Ltd.
102E Pasir Panjang Road
#01-01 Citilink Warehouse Complex
Singapore 118529
Tel: (65) 6375-8560
Fax: (65) 6273-3021
Email: fcal@fcal.fujitsu.com
www.fcal.fujitsu.com

© 2007 Fujitsu Components America, Inc. All rights reserved. All trademarks or registered trademarks are the property of their respective owners. Fujitsu Components America, Inc. or its affiliates do not warrant that the content of the datasheet is error free. In a continuing effort to improve our products, Fujitsu Components America, Inc. or its affiliates reserve the right to change specifications/datasheets without prior notice. Rev. November 2, 2007.